

# Rugged Tablet 1880

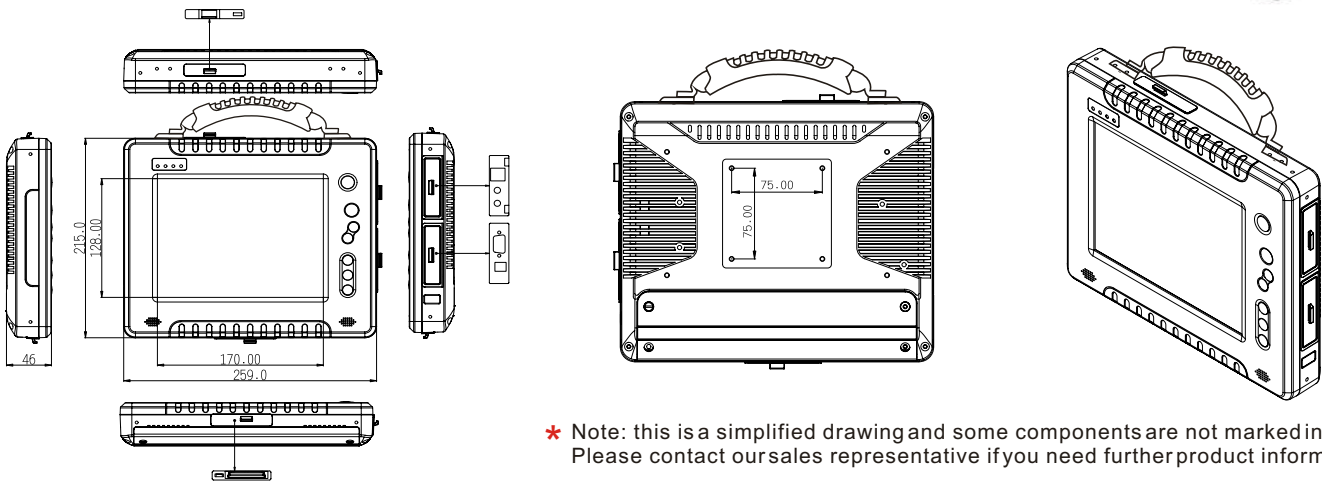
## CLS-1042188MRTT2

### Features:

- From 10.4 inch industrial grade high resolution TFT-LCD Panel.
- High Performance, Lower Power Intel® Core 2 Duo platform with Intel® 945GSE Chipset.
- 4 Wire Resistive Sunlight Readable Touch Screen enhanced viewability (for Optional)
- Rugged Alu-Mg Alloy Housing Design with Protection Rubber for MIL-810F Shock, Vibration and Drop Std.
- External expansion Slot by PCI-Express for mobile communication functions.
- Ergonomic Portable Design with Accessories (for Optional)
- 6cell, 4800mAh Li-Ion Battery Pack support warm-swap battery function (for Optional).



### Mechanical Design Drawings



\* Note: this is a simplified drawing and some components are not marked in detail. Please contact our sales representative if you need further product information.

### System Specification

- Processor : Intel® Core 2 Duo 1.06GHz
- BIOS : AMI System BIOS
- System Chipset : Intel® 945 GSE Chipset + ICH7
- System Memory : 1 x SODIMM, Max 2GB DDR2 400/533 (Default 512GB)
- LAN Controller : Realtek RTL8111B GigaLAN Controller, Single Gigabit LAN
- Storage Options : 2.5" 80GB SATA HDD (Default), Industrial CF Card, 2.5" Automobile HDD, 2.5" Solid State Disk (SSD)
- Audio : Audio out for headset, Micro-in for microphone jack, 1.5W Speaker (Internal)
- Expansion Slot : PCI Express Card

### Wireless Communication

- WLAN : 802.11b/g (internal Mini-card module)
- Bluetooth : Bluetooth (internal by usb module)
- WWAN : GSM/GPRS (PCI Express Card)  
CDMA (PCI Express Card)  
UMTS (PCI Express Card)  
EDGE (PCI Express Card)
- GPS : GPS Solution (PCI Express Card)

### Mechanical and Environment

- Dimensions (W x L x H) : 311 x 232 x 45 mm
- Weight : 2.2Kg (w/o accessories)
- Operation Temperature : -20 deg.C to 60 deg.C
- Operation Humidity : 10% to 90% (non condensing)
- IP Proof : IP54
- Mounting : VESA mount, Vehicle mount
- Shock\* : MIL-STD-810F M516.5
- Vibration\* : MIL-STD-810F M514.5
- Drop\* : MIL-STD-810F M516.5, 4 ft, Free to concrete
- Certifications : CE, FCC Class B, UL

### Display Specification

- Pixel Number : 1024x768
- Brightness : 170cd/m<sup>2</sup> (typ.)
- Touch (Default) : 4 Wire Resistive

### I/O Connectors

- Left I/O Port : 1x RJ-45 10/100/1000 Mps LAN  
2x USB 2.0  
1x Audio out  
Micro-in Jack
- Right I/O Port : 1x COM, 1x VGA, 1x USB 2.0
- Upper I/O Port : 1x PCI Express Slot for Expansion,  
1x USB Slot for Expansion
- Downside Docking : 1x Docking connector for expansion 4x USB,  
and Docking Stand Power input

### In front Control

- Control Button : 1x Menu Key control Brightness,  
Volume and Battery Status
- LED indicator : Power On/ Off / Battery / HDD Access / Wifi On / Off

### Power Management

- Power input : 19V DC
- Power consumption : 53 W typ.
- Battery : 2.5 Hours
- Battery Operating Time : 2.5 Hours
- Charging time : Li-Ion battery 4800mAh, 11.1V
- Adapter : 100-240V, 50-60Hz, 19VDC

\* When use SSD or Industrial Compact Flash